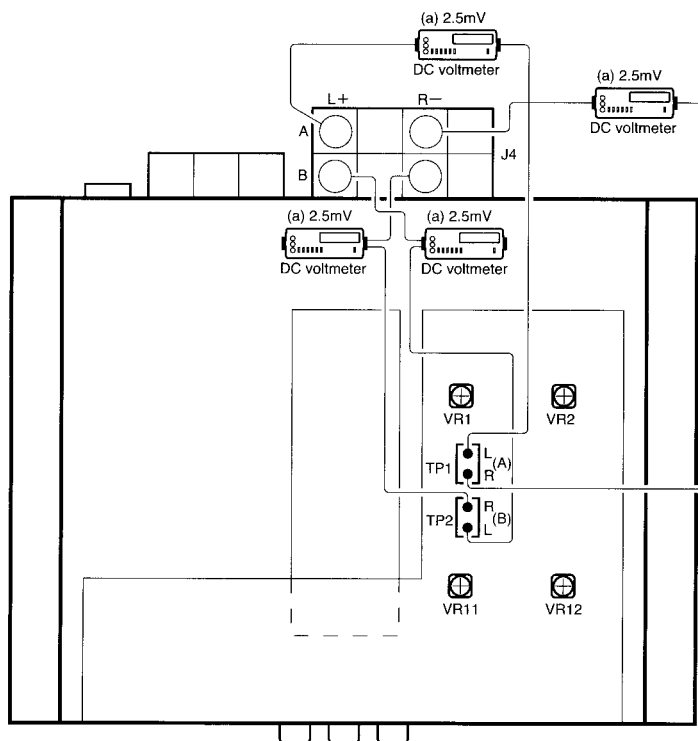


ADJUSTMENT

No.	ITEM	INPUT SETTINGS	OUTPUT SETTINGS	RECEIVER SETTINGS	ALIGNMENT POINTS	ALIGN FOR	FIG.
Connect a cassette receiver or CD receiver.							
1	IDEL CURRENT	-	Connect a DC voltmeter between TP1/TP2 and J4 (SP.OUT, L+/R-)	VOLUME : 0	(A) VR1 (L ch) VR2 (R ch) (B) VR11 (L ch) VR12 (R ch) (X09-)	2.5mV	(a)

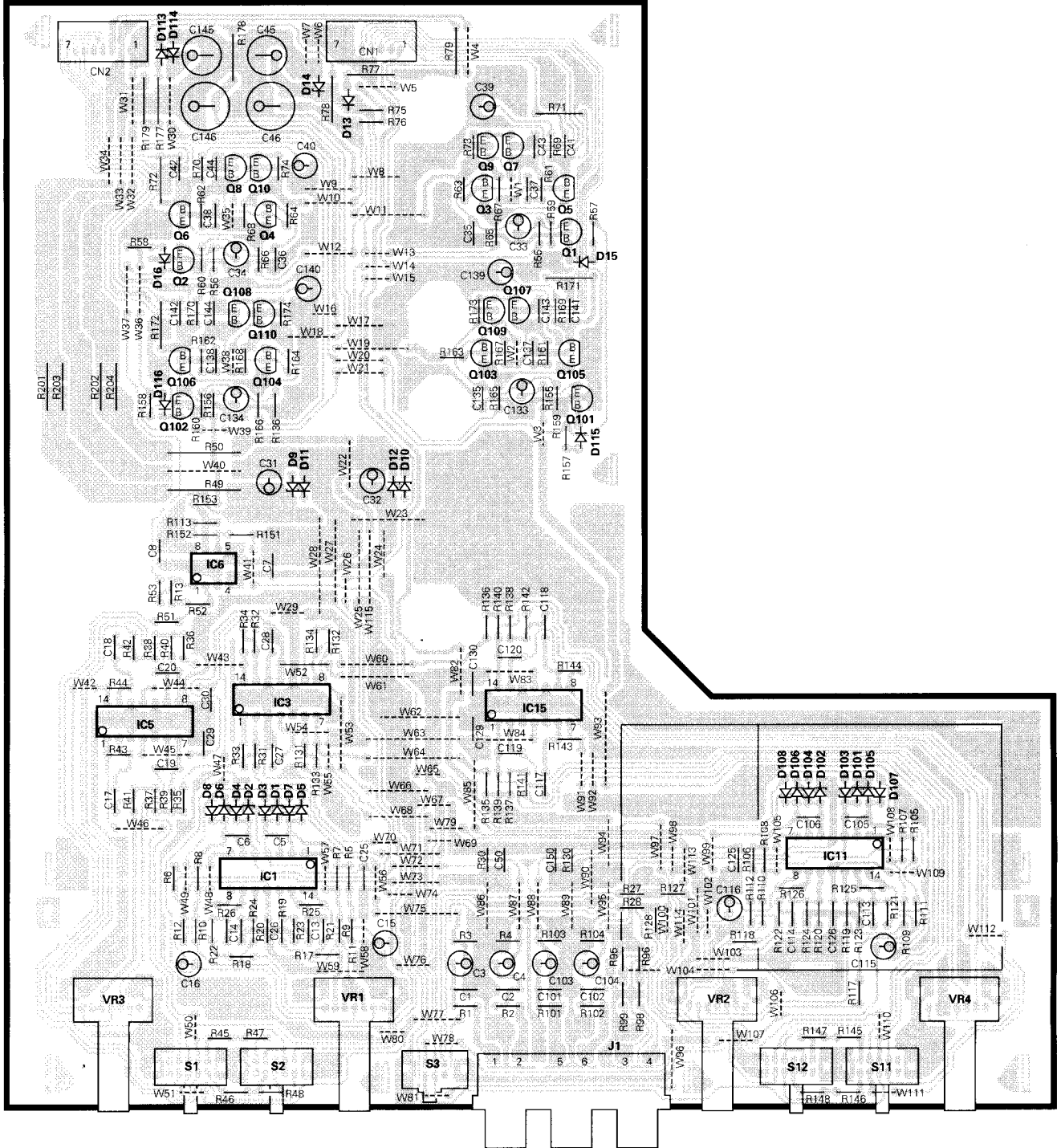
調整

No.	項目	入力側 セッティング	出力側 セッティング	レシーバ セッティング	調整箇所	調整方法	図
カセットレシーバまたはCDレシーバを接続。							
1	IDEL CURRENT	-	TP1/TP2 と J4 (SP.OUT, L+/R-) の間にDC電圧計を接続	VOLUME : 0	(A) VR1 (L ch) VR2 (R ch) (B) VR11 (L ch) VR12 (R ch) (X09-)	2.5mV	(a)



PC BOARD (Component side view) / プリント板 (部品面)

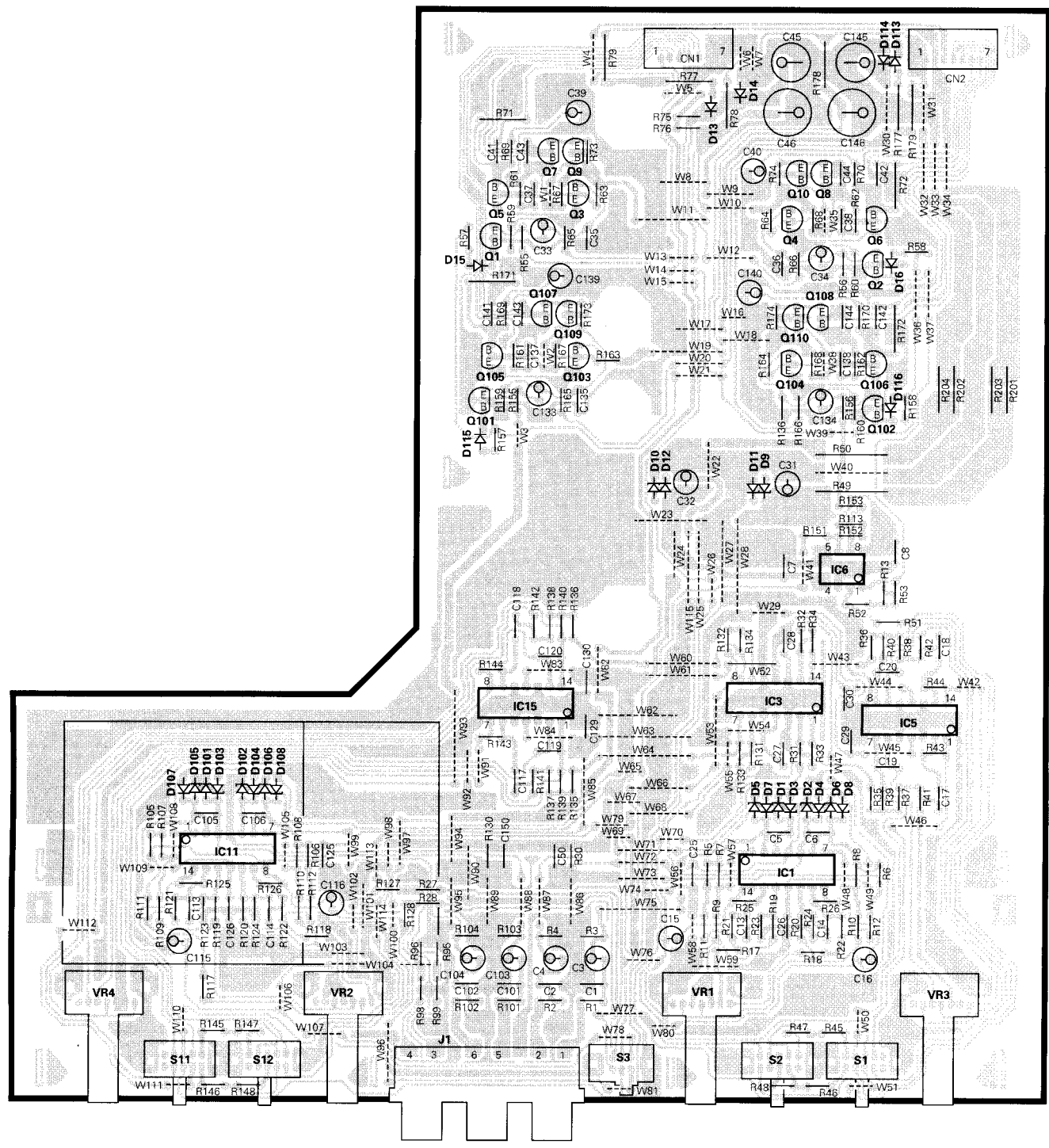
PREAMPLIFIER UNIT X08-4020-10 (J74-0519-11)



Refer to the schematic diagram for the value of resistors and capacitors.
抵抗、コンデンサの値及びDC電圧は回路図を参照して下さい。

PC BOARD (Foil side view) / プリント板 (半田面)

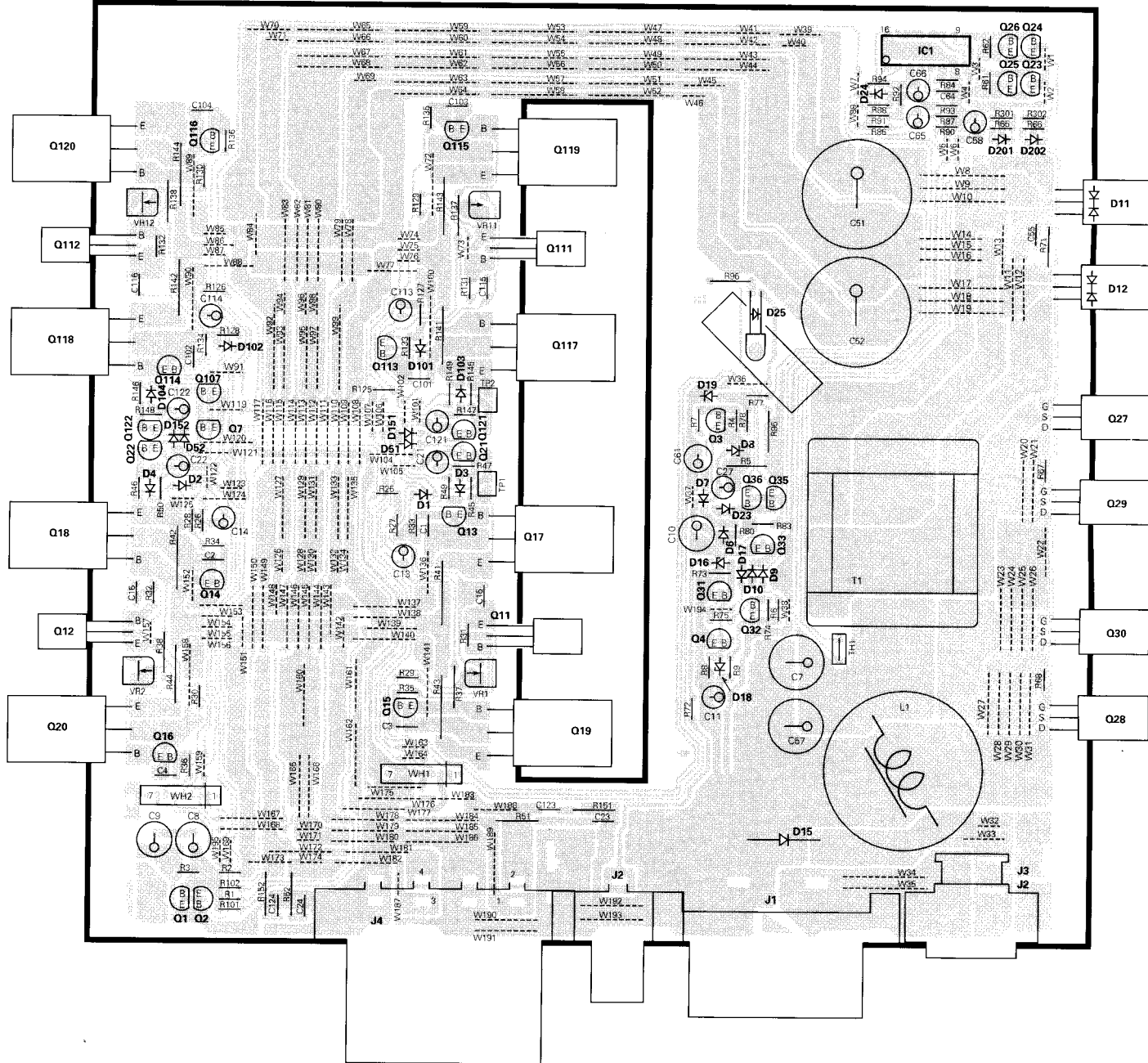
PREAMPLIFIER UNIT X08-4020-10 (J74-0519-11)



Refer to the schematic diagram for the value of resistors and capacitors.
抵抗、コンデンサの値及びDC電圧は回路図を参照して下さい。

PC BOARD (Component side view) / プリント板 (部品面)

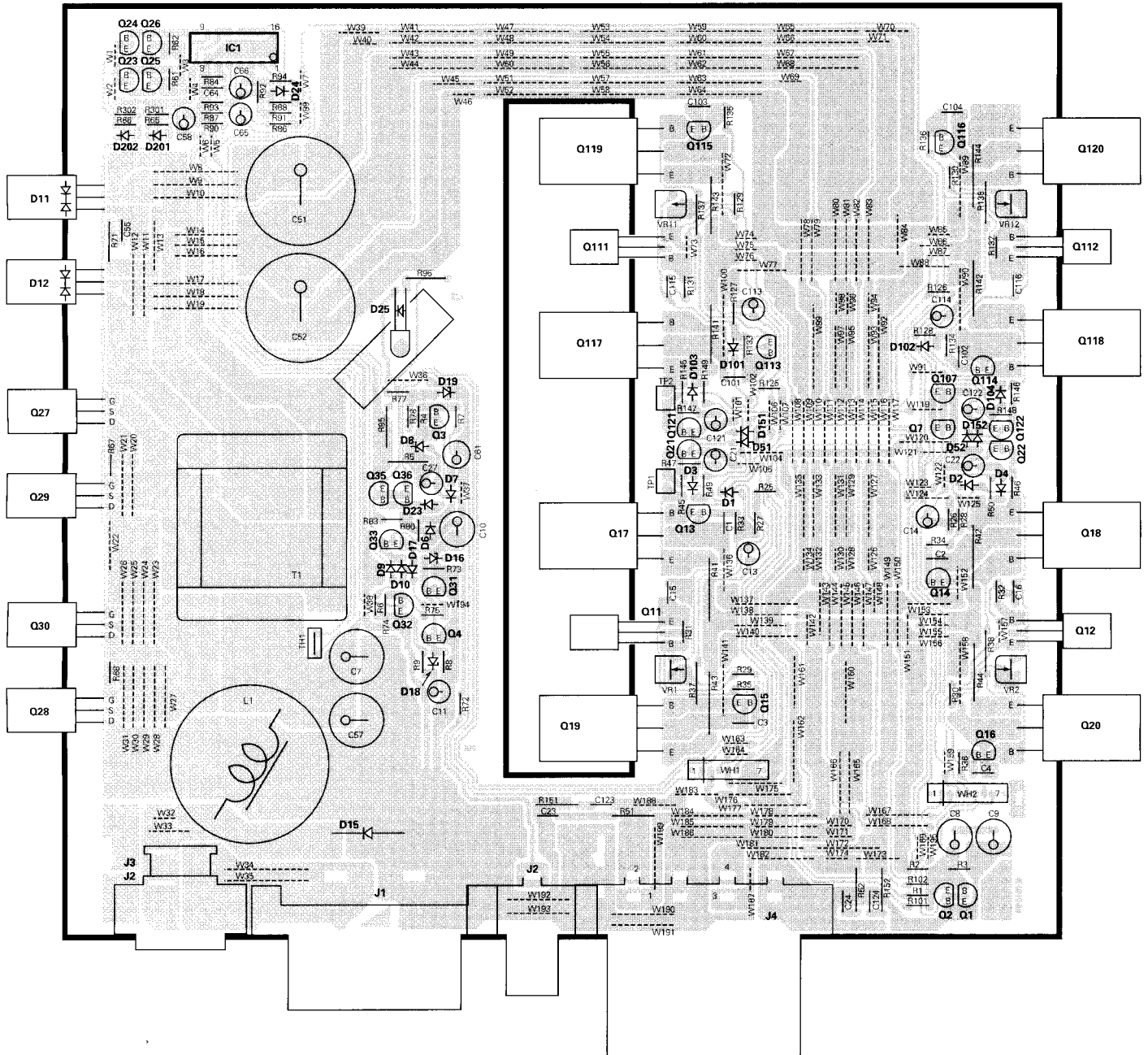
AUDIO UNIT X09-5150-10 (J74-0520-21)



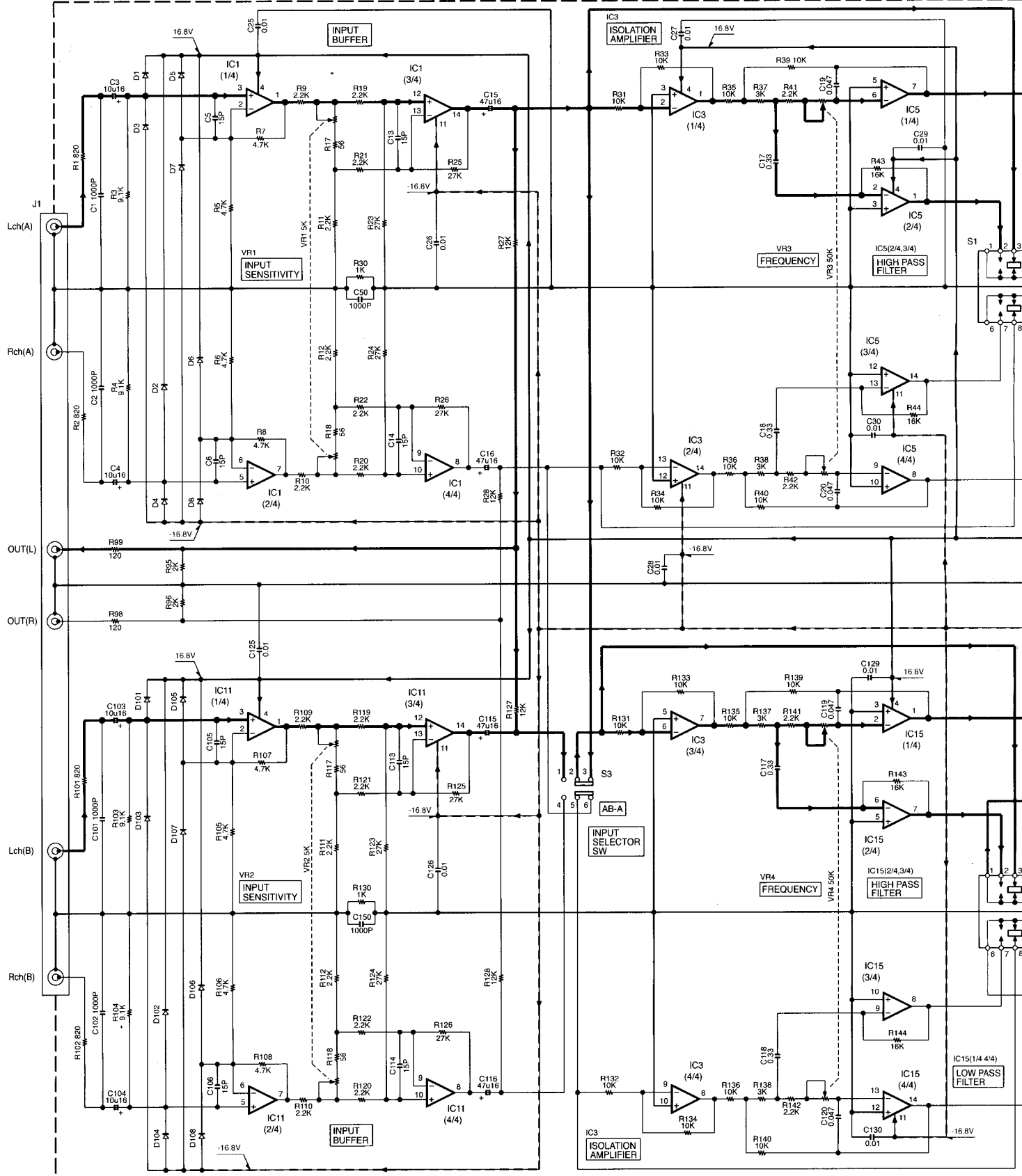
Refer to the schematic diagram for the value of resistors and capacitors.
抵抗、コンデンサの値及びDC電圧は回路図を参照して下さい。

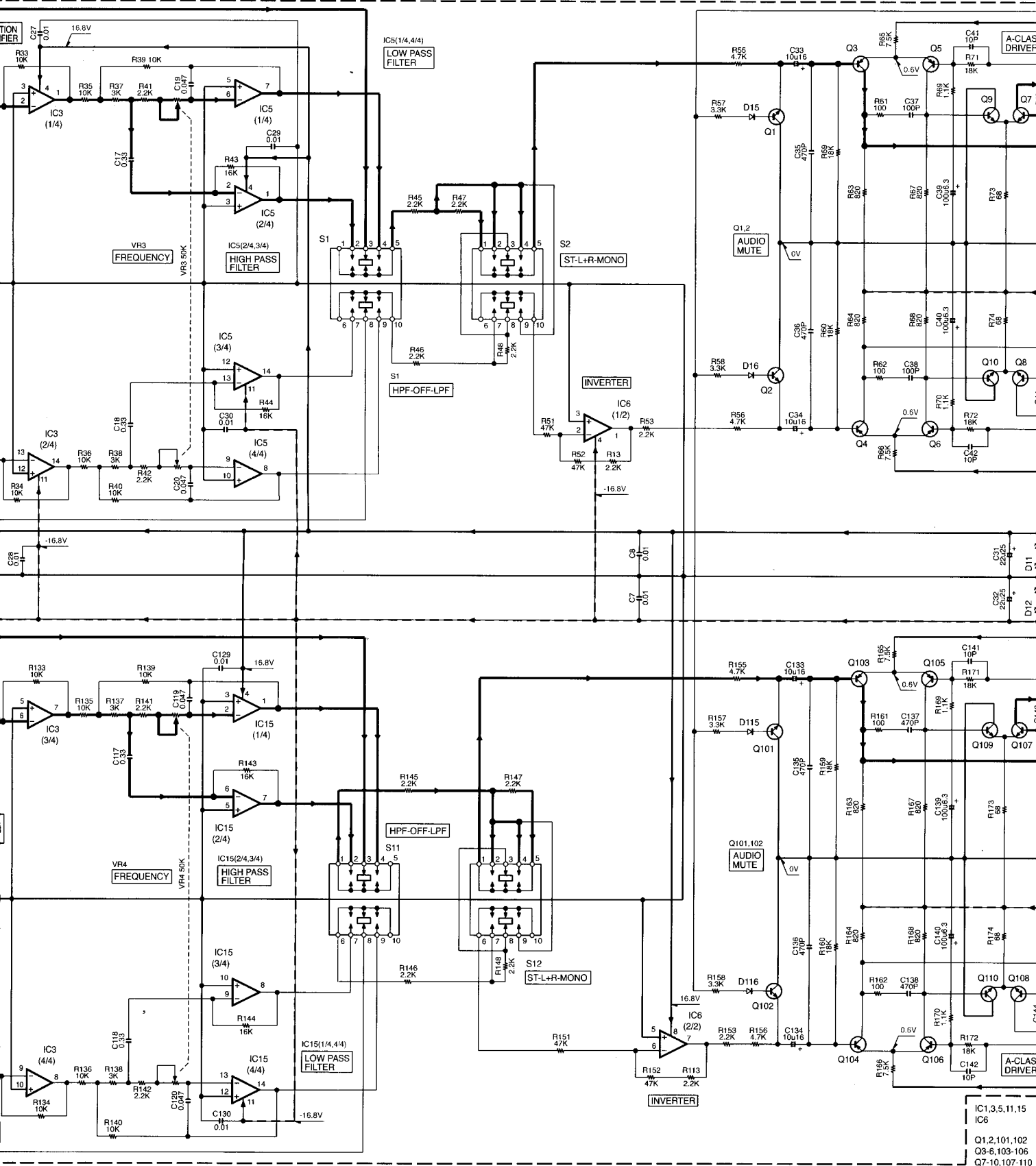
PC BOARD (Foil side view) / プリント板 (半田面)

AUDIO UNIT X09-5150-10 (J74-0520-21)

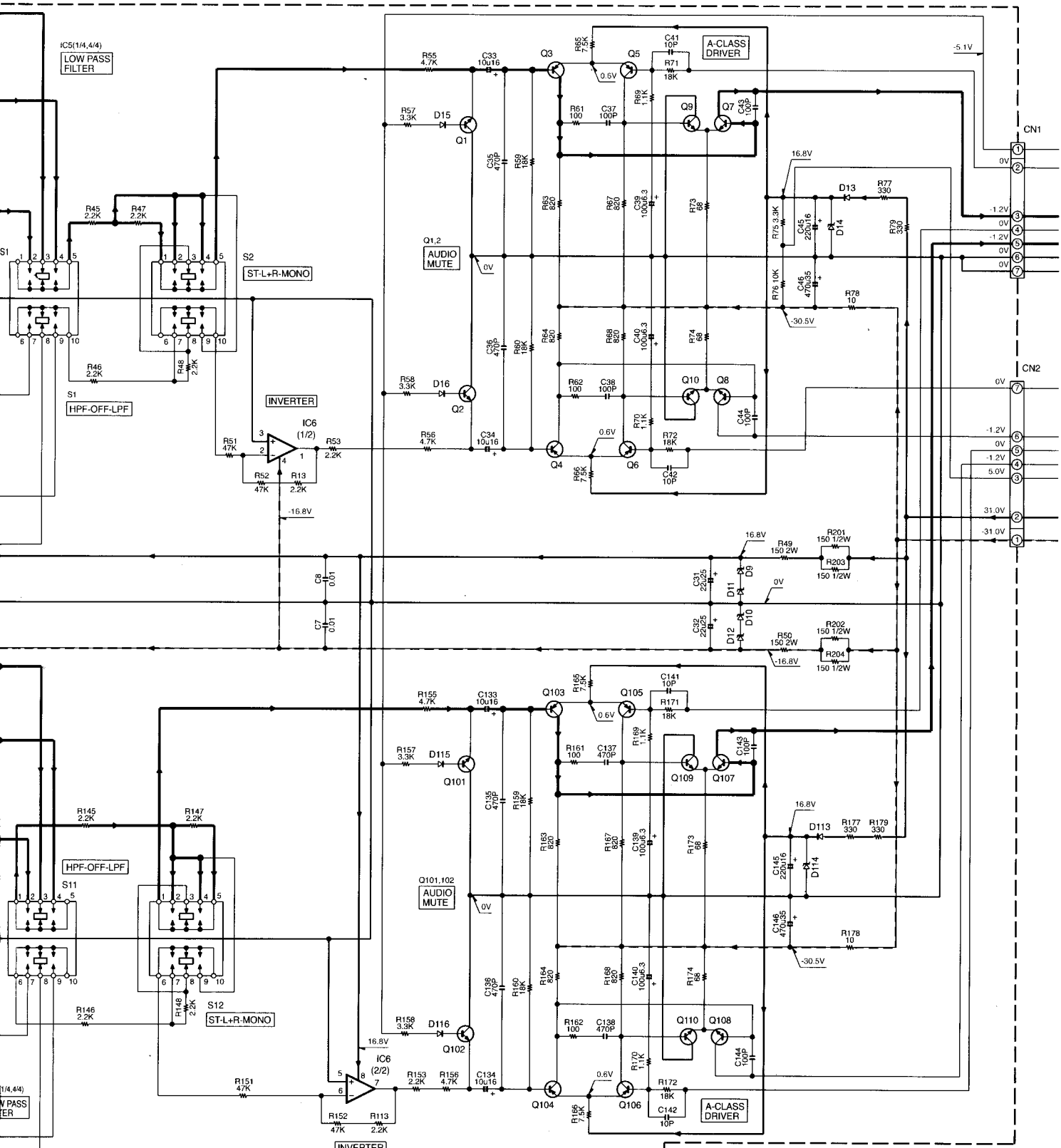


PREAMPLIFIER UNIT (X08-4020-10)



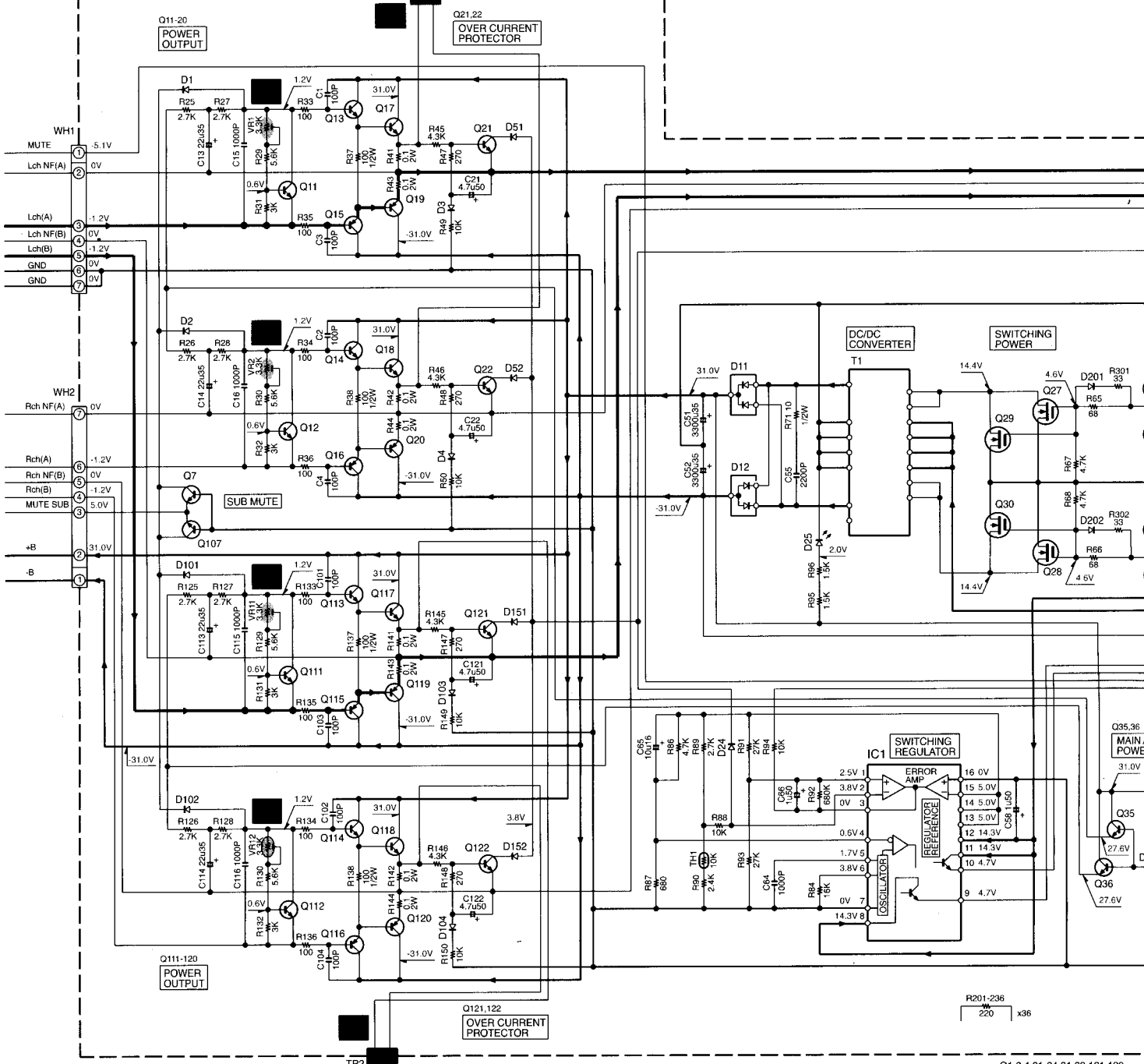


- IC1,3,5,11,15
- IC6
- Q1,2,101,102
- Q3-5,103-106
- Q7-10,107-110



- | | | |
|---------------|------------------|------------------------|
| IC1,3,5,11,15 | : UPC4574C | D1-8,13,15,16,101-108, |
| IC6 | : NJM4565D | 113,115,116 |
| | | : 1SS131 |
| Q1,2,101,102 | : 2SC945(A)(Q,P) | D9-12 |
| Q3-6,103-106 | : 2SA733(A)(Q,P) | : RD8.2JS(B) |
| Q7-10,107-110 | : 2SC1845(F,E) | D14,114 |
| | | : RD16JS(B) |

AUDIO UNIT (X09-5150-10)



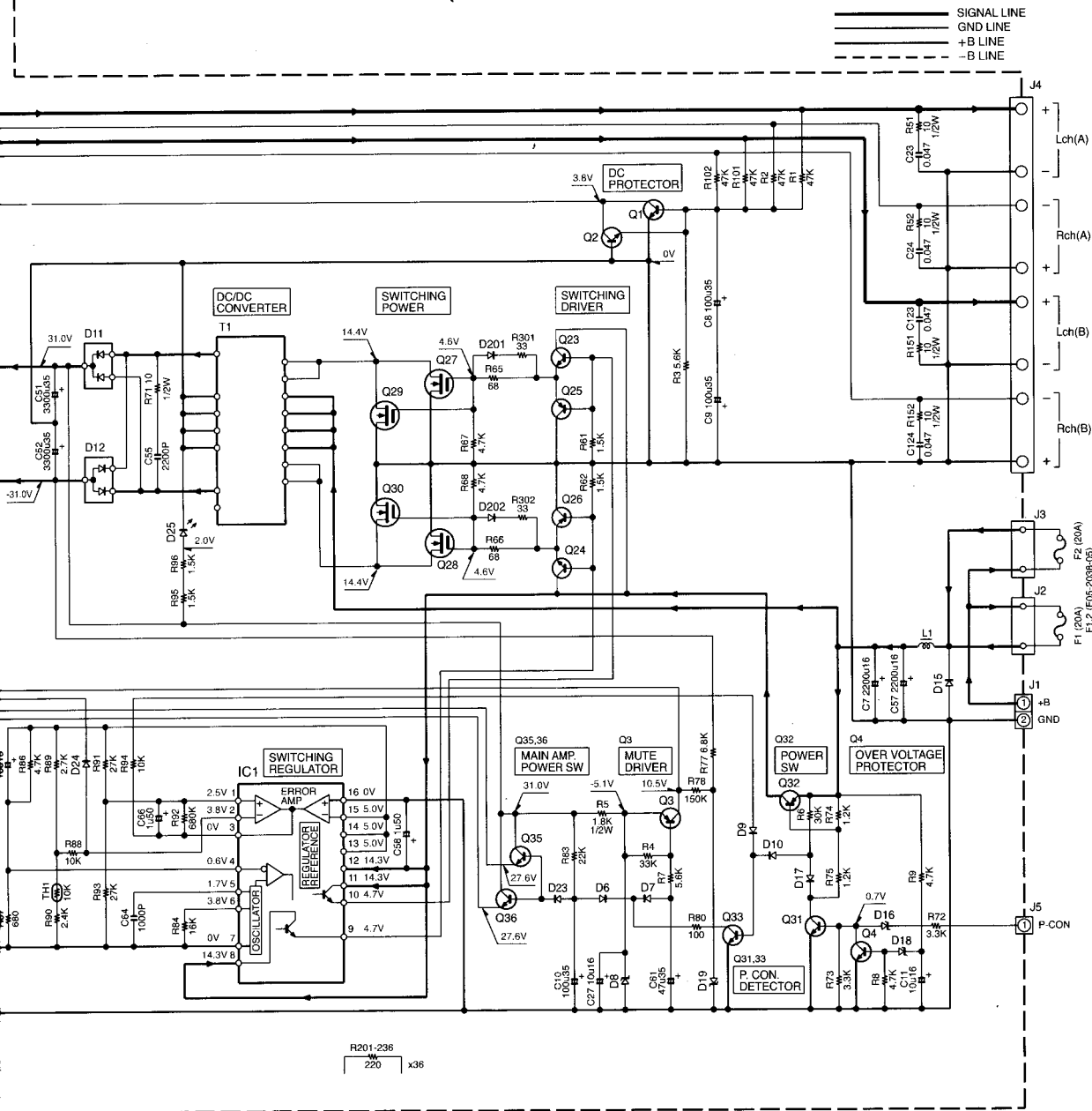
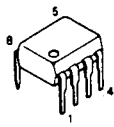
IC1	: UPC494C	Q1,2,4,21-24,31,33,121,122	: 2SC945(A)(Q)
D1-4,6,7,9,10,17,23,24,51,52,101-104,151,152,201,202	: 1SS131	Q3,25,26,32	: 2SA733(A)(Q)
D8	: RD10J(S)(B)	Q7,107	: 2SC1845(F)(E)
D11	: D10LC20U* A	Q11,12,111,112	: 2SC2590(Q,R)
D12	: D10LC20UR* A	Q13,14,113,114	: 2SC1627A
D15	: RM4ZLF-J1	Q15,16,115,116	: 2SA817A
D16	: RD7.5J(S)(B)	Q17,18,117,118	: 2SC5100LB
D18	: RD20J(S)(B)	Q19,20,119,120	: 2SA1908LB
D19	: RD5.1J(S)(B)	Q27-30	: MTAJ30N06E
D25	: B30-1460-05	Q35,36	: 2SC3940A(R)

CAUTION: For components with manufacturer's safety critical components, replace only with same type. To prevent electric shock, leakage current, or other hazards, do not touch exposed parts of the appliance is returned to the manufacturer.

△印の部品は、安全にご使用下さい。△印の部品は、安全にご使用下さい。△印の部品は、安全にご使用下さい。

- 2SA733(A)
- 2SA817A
- 2SC1627A
- 2SC1845
- 2SC3940A
- 2SC945(A)

NJM4565D



— SIGNAL LINE
 = GND LINE
 --- +B LINE
 - - - -B LINE

R201-236
 220 x36

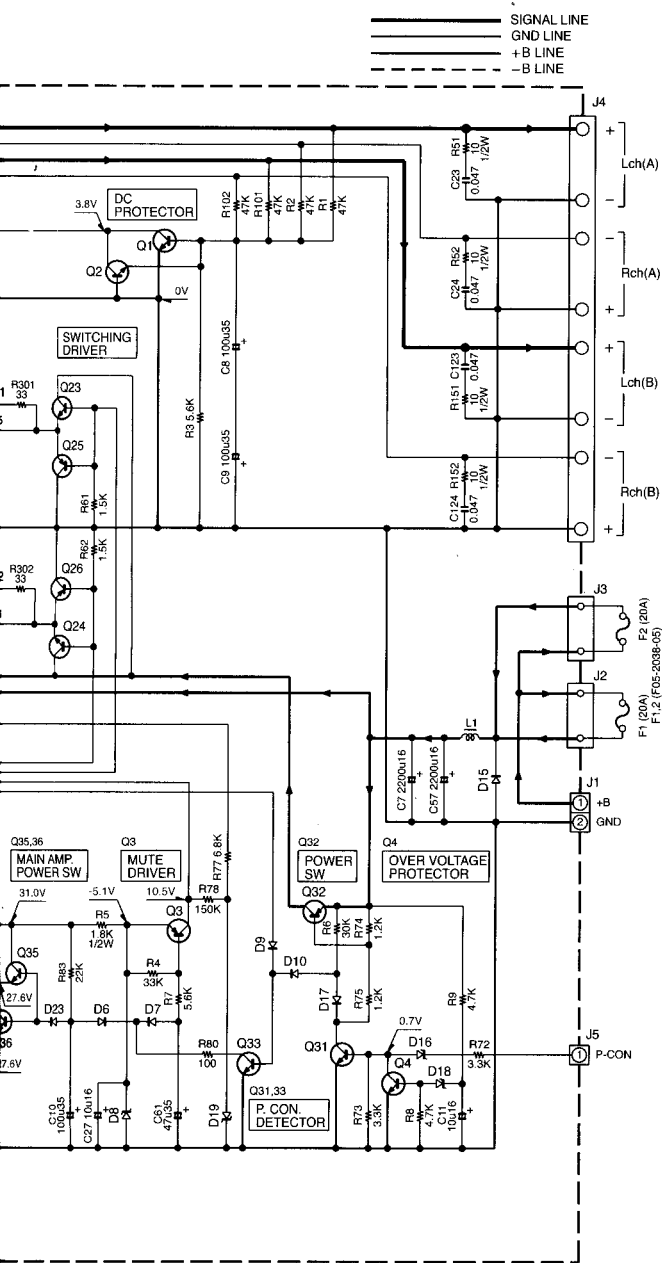
- IC1 : UPC494C
- D1-4,6,7,9,10,17,23,24,51,52,101-104, 151,152,201,202 : 1SS131
- D8 : RD10JS(B)
- D11 : D10LC20U *A
- D12 : D10LC20UR *A
- D15 : RM4ZLF-J1
- D16 : RD7.5JS(B)
- D18 : RD20JS(B)
- D19 : RD5.1JS(B)
- D25 : B30-1460-05

- Q1,2,4,21-24,31,33,121,122 : 2SC945(A)(Q,P)
- Q3,25,26,32 : 2SA733(A)(Q,P)
- Q7,107 : 2SC1845(F,E)
- Q11,12,111,112 : 2SC2590(Q,R)
- Q13,14,113,114 : 2SC1627A
- Q15,16,115,116 : 2SA817A
- Q17,18,117,118 : 2SC5100LB
- Q19,20,119,120 : 2SA1908LB
- Q27-30 : MTAJ30N06ELFK
- Q35,36 : 2SC3940A(R,S)

KAC-848 (EUKM)

CAUTION: For continued safety, replace safety critical components only with manufacturer's recommended parts (refer to parts list). Δ indicates safety critical components. For continued protection against risk of fire, replace only with same type and rating fuse(s). To reduce the risk of electric shock, leakage-current or resistance measurements shall be carried out (exposed parts are acceptably insulated from the supply circuit) before the appliance is returned to the customer.

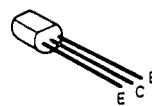
Δ 印の部品は、安全上重要な部品です。交換をする時は必ず指定の部品をご使用下さい。この回路図は基本のものです。製品により異なる場合があります。



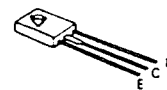
KAC-848 (EJKM)

- 122
- Q945(A)(Q,P)
- Q733(A)(Q,P)
- Q1845(F,E)
- Q2590(Q,R)
- Q1627A
- Q817A
- Q5100LB
- Q1908LB
- QJ30N06ELFK
- Q3940A(R,S)

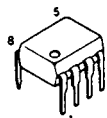
- 2SA733(A)
- 2SA817A
- 2SC1627A
- 2SC1845
- 2SC3940A
- 2SC945(A)



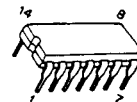
2SC2590



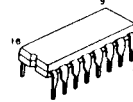
NJM4565D



UPC4574C



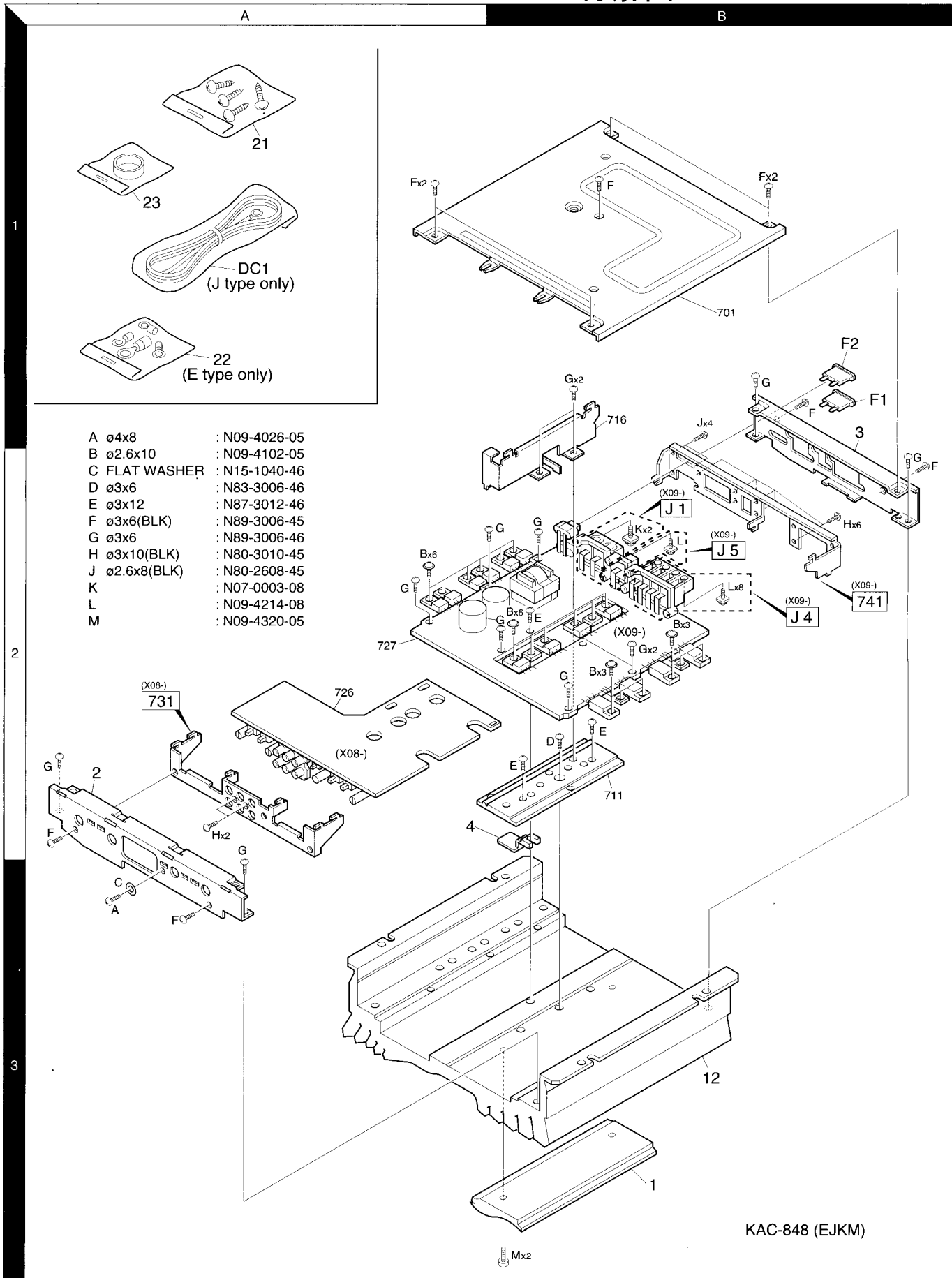
UPC494C



KAC-848

KENWOOD

EXPLODED VIEW / 分解図



KAC-848 (EJKM)

PARTS LIST / 部品表

* New Parts
Parts without Part No. are not supplied.

* 新規部品
(注) 部品番号がないものは修理用部品として扱いません。

Ref. No.	Ad d 位置	New 規	Parts No.	Description	Desti- nation
参照番号	位置	新規	部品番号	部品名/規格	仕向
KAC-848					
1	3B	*	A21-3557-03	DRESSING PANEL	
2	2A	*	A64-1728-02	FRONT PANEL	
3	1B	*	A84-0192-02	REAR PANEL	
4	2A	*	B19-1185-03	LIGHTING BOARD	
			B46-0100-50	WARRANTY CARD	KE1M1
			B46-0191-03	保証書	J1
			B59-0090-00	シユルマカ	J1
		*	B64-1350-00	INST. MANUAL (ENG,FRE,SPA)	K
		*	B64-1351-00	INST. MANUAL (ENG,FRE,GER,DUT)	E1
		*	B64-1351-00	INST. MANUAL (ITA,SPA,POR)	E1
		*	B64-1352-00	トリアカセケイメイシヨ (JAPANESE)	J1
		*	B64-1353-00	INST. MANUAL (ENG,CHI)	M1
△ DC1	1A		E30-4341-05	DCコト ASSY	J1
12	3B	*	F01-1592-01	HEAT SINK (TOP COVER)	
F1 .2	2B		F05-2038-05	FUSE (20A BLADE TYPE)	
		*	H10-4642-03	POLYSTYRENE FOAMED FIXTURE	KE1M1
		*	H10-4642-03	ハクマウコイザイ	J1
			H25-0321-04	PROTECTION BAG (600X315X0.03)	KE1M1
			H25-0321-04	ホコフ加 (600X315X0.03)	J1
			H25-0336-04	PROTECTION BAG (170X250X0.03)	KE1M1
			H25-0336-04	ホコフ加 (170X250X0.03)	J1
		*	H54-1417-03	ITEM CARTON CASE	KE1M1
		*	H54-1417-03	コカカコ	J1
21	1A		N99-1587-05	SCREW SET	
A	3A		N09-4026-05	TAPPING SCREW (4X8,TP,S)	
B	2B		N09-4102-05	SEMS (MACHINE SCREW) (M2.6X10)	
C	3A		N15-1040-46	FLAT WASHER	
D	2B		N83-3006-46	PAN HEAD TAPTITE SCREW	
E	2B		N87-3012-46	BRAZIER HEAD TAPTITE SCREW	
F	1B		N89-3006-45	BINDING HEAD TAPTITE SCREW	
G	2B		N89-3006-46	BINDING HEAD TAPTITE SCREW	
M	3B		N09-4320-05	DRESSED SCREW (M4X10)	
△ 22	1A	*	W01-0797-05	LEAD TERMINAL SET	E1
23	1A		W01-0747-05	TERMINAL COVER SET	
PREAMPLIFER UNIT (X08-4020-10)					
C1 .2			CK45FB1H102K	CERAMIC 1000PF K	
C3 .4			CE04DW1C100M	ELECTRO 10UF 16WV	
C5 .6			CC45FCH1H150J	CERAMIC 15PF J	
C7 .8			CK45FF1H103Z	CERAMIC 0.010UF Z	
C13 .14			CC45FCH1H150J	CERAMIC 15PF J	
C15 .16			CE04DW1C470M	ELECTRO 47UF 16WV	
C17 .18			CF92FV1H334J	MF-C 0.33UF J	
C19 .20			CF92FV1H473J	MF-C 0.047UF J	
C25 .30			CK45FF1H103Z	CERAMIC 0.010UF Z	
C31 .32			CE04DW1E220M	ELECTRO 22UF 25WV	
C33 .34			CE04DW1C100M	ELECTRO 10UF 16WV	
C35 .38			CK45FB1H471K	CERAMIC 470PF K	
C39 .40			CE04DW0J101M	ELECTRO 100UF 6.3WV	
C41 .42			CC45FSL1H100D	CERAMIC 10PF D	
C43 .44			CK45FB1H101K	CERAMIC 100PF K	

Ref. No.	Ad d 位置	New 規	Parts No.	Description	Desti- nation
参照番号	位置	新規	部品番号	部品名/規格	仕向
C45			CE04DW1C221M	ELECTRO 220UF 16WV	
C46			CE04DW1V471M	ELECTRO 470UF 35WV	
C50			CF92FV1H102J	MF-C 1000PF J	
C101,102			CK45FB1H102K	CERAMIC 1000PF K	
C103,104			CE04DW1C100M	ELECTRO 10UF 16WV	
C105,106			CC45FCH1H150J	CERAMIC 15PF J	
C113,114			CC45FCH1H150J	CERAMIC 15PF J	
C115,116			CE04DW1C470M	ELECTRO 47UF 16WV	
C117,118			CF92FV1H334J	MF-C 0.33UF J	
C119,120			CF92FV1H473J	MF-C 0.047UF J	
C125,126			CK45FF1H103Z	CERAMIC 0.010UF Z	
C129,130			CK45FF1H103Z	CERAMIC 0.010UF Z	
C133,134			CE04DW1C100M	ELECTRO 10UF 16WV	
C135-138			CK45FB1H471K	CERAMIC 470PF K	
C139,140			CE04DW0J101M	ELECTRO 100UF 6.3WV	
C141,142			CC45FSL1H100D	CERAMIC 10PF D	
C143,144			CK45FB1H101K	CERAMIC 100PF K	
C145			CE04DW1C221M	ELECTRO 220UF 16WV	
C146			CE04DW1V471M	ELECTRO 470UF 35WV	
C150			CF92FV1H102J	MF-C 1000PF J	
△ CN1 .2			E40-9468-05	FLAT CABLE CONNECTOR	
J1			E63-0830-05	PHONO JACK	
H	2A		N80-3010-45	PAN HEAD TAPTITE SCREW	
R1 .2			RD14BB2C821J	RD 820 J 1/6W	
R3 .4			RD14BB2C912J	RD 9.1K J 1/6W	
R5 .8			RD14BB2C472J	RD 4.7K J 1/6W	
R9 .13			RD14BB2C222J	RD 2.2K J 1/6W	
R17 .18			RD14BB2C560J	RD 56 J 1/6W	
R19 .22			RD14BB2C222J	RD 2.2K J 1/6W	
R23 .26			RD14BB2C273J	RD 27K J 1/6W	
R27 .28			RD14BB2C123J	RD 12K J 1/6W	
R30			RD14BB2C102J	RD 1.0K J 1/6W	
R31 .36			RD14BB2C103J	RD 10K J 1/6W	
R37 .38			RD14BB2C302J	RD 3.0K J 1/6W	
R39 .40			RD14BB2C103J	RD 10K J 1/6W	
R41 .42			RD14BB2C222J	RD 2.2K J 1/6W	
R43 .44			RD14BB2C163J	RD 16K J 1/6W	
R45 .48			RD14BB2C222J	RD 2.2K J 1/6W	
R49 .50			RS14KB3D151J	FL-PROOF RS 150 J 2W	
R51 .52			RD14BB2C473J	RD 47K J 1/6W	
R53			RD14BB2C222J	RD 2.2K J 1/6W	
R55 .56			RD14BB2C472J	RD 4.7K J 1/6W	
R57 .58			RD14BB2C332J	RD 3.3K J 1/6W	
R59 .60			RD14BB2C183J	RD 18K J 1/6W	
R61 .62			RD14BB2C101J	RD 100 J 1/6W	
R63 .64			RD14BB2C821J	RD 820 J 1/6W	
R65 .66			RD14BB2C752J	RD 7.5K J 1/6W	
R67 .68			RD14BB2C821J	RD 820 J 1/6W	
R69 .70			RD14BB2C112J	RD 1.1K J 1/6W	
R71 .72			RD14BB2E183J	RD 18K J 1/4W	
R73 .74			RD14BB2C680J	RD 68 J 1/6W	
R75			RD14BB2C332J	RD 3.3K J 1/6W	
R76			RD14BB2C103J	RD 10K J 1/6W	

E: Europe J: Japan K: North America
M: Other Area

△ indicates safety critical components.
△印は安全部品

PARTS LIST / 部品表

* New Parts

Parts without Part No. are not supplied.

(X08-4020-10)

* 新規部品

(注) 部品番号がないものは修理用部品として扱いません。

Ref. No.	A d d 位置 新規	Parts No.	Description	Desti- nation
参照番号	位置 新規	部品番号	部品名 / 規格	仕向
R77		RD14BB2E331J	RD 330 J 1/4W	
R78		RD14BB2E100J	RD 10 J 1/4W	
R79		RD14BB2E331J	RD 330 J 1/4W	
R95_96		RD14BB2C202J	RD 2.0K J 1/6W	
R98_99		RD14BB2C121J	RD 120 J 1/6W	
R101,102		RD14BB2C821J	RD 820 J 1/6W	
R103,104		RD14BB2C912J	RD 9.1K J 1/6W	
R105-108		RD14BB2C472J	RD 4.7K J 1/6W	
R109-113		RD14BB2C222J	RD 2.2K J 1/6W	
R117,118		RD14BB2C560J	RD 56 J 1/6W	
R119-122		RD14BB2C222J	RD 2.2K J 1/6W	
R123-126		RD14BB2C273J	RD 27K J 1/6W	
R127,128		RD14BB2C123J	RD 12K J 1/6W	
R130		RD14BB2C102J	RD 1.0K J 1/6W	
R131-136		RD14BB2C103J	RD 10K J 1/6W	
R137,138		RD14BB2C302J	RD 3.0K J 1/6W	
R139,140		RD14BB2C103J	RD 10K J 1/6W	
R141,142		RD14BB2C222J	RD 2.2K J 1/6W	
R143,144		RD14BB2C163J	RD 16K J 1/6W	
R145-148		RD14BB2C222J	RD 2.2K J 1/6W	
R151,152		RD14BB2C473J	RD 47K J 1/6W	
R153		RD14BB2C222J	RD 2.2K J 1/6W	
R155,156		RD14BB2C472J	RD 4.7K J 1/6W	
R157,158		RD14BB2C332J	RD 3.3K J 1/6W	
R159,160		RD14BB2C183J	RD 18K J 1/6W	
R161,162		RD14BB2C101J	RD 100 J 1/6W	
R163,164		RD14BB2C821J	RD 820 J 1/6W	
R165,166		RD14BB2C752J	RD 7.5K J 1/6W	
R167,168		RD14BB2C821J	RD 820 J 1/6W	
R169,170		RD14BB2C112J	RD 1.1K J 1/6W	
R171,172		RD14BB2E183J	RD 18K J 1/4W	
R173,174		RD14BB2C680J	RD 68 J 1/6W	
R177		RD14BB2E331J	RD 330 J 1/4W	
R178		RD14BB2E100J	RD 10 J 1/4W	
R179		RD14BB2E331J	RD 330 J 1/4W	
R201-204		RD14DB2H151J	SMALL-RD 150 J 1/2W	
VR1_2		R31-0207-05	VARIABLE RESISTOR (5K)	
VR3_4		R31-0208-05	VARIABLE RESISTOR (50K)	
S1_2		S31-2630-05	SLIDE SWITCH	
S3		S62-0842-05	SLIDE SWITCH	
S11_12		S31-2630-05	SLIDE SWITCH	
D1_8		1SS131	DIODE	
D9_12		RD8.2J(S)(B)	ZENER DIODE	
D13		1SS131	DIODE	
D14		RD16J(S)(B)	ZENER DIODE	
D15_16		1SS131	DIODE	
D15_16		1SS176	DIODE	
D101-108		1SS131	DIODE	
D113		1SS131	DIODE	
D114		RD16J(S)(B)	ZENER DIODE	
D115,116		1SS131	DIODE	
D115,116		1SS176	DIODE	
IC1		UPC4574C	IC(OP AMP X4)	
IC3		UPC4574C	IC(OP AMP X4)	

Ref. No.	A d d 位置 新規	Parts No.	Description	Desti- nation
参照番号	位置 新規	部品番号	部品名 / 規格	仕向
IC5		UPC4574C	IC(OP AMP X4)	
IC6		NJM4565D	ANALOGUE IC	
IC11		UPC4574C	IC(OP AMP X4)	
IC15		UPC4574C	IC(OP AMP X4)	
Q1_2		2SC945(A)(Q,P)	TRANSISTOR	
Q3_6		2SA733(A)(Q,P)	TRANSISTOR	
Q7_10		2SC1845(F,E)	TRANSISTOR	
Q101,102		2SC945(A)(Q,P)	TRANSISTOR	
Q103-106		2SA733(A)(Q,P)	TRANSISTOR	
Q107-110		2SC1845(F,E)	TRANSISTOR	
AUDIO UNIT (X09-5150-10)				
D25		B30-1460-05	LED (RED)	
C1_4		CK45FB1H101K	CERAMIC 100PF K	
C7		C90-2688-05	ELECTRO 2200UF 16WV	
C8_10		CE04DW1V101M	ELECTRO 100UF 35WV	
C11		CE04DW1C100M	ELECTRO 10UF 16WV	
C13_14		CE04DW1V220M	ELECTRO 22UF 35WV	
C15_16		CF92FV1H102J	MF-C 1000PF J	
C21_22		CE04DW1H4R7M	ELECTRO 4.7UF 50WV	
C23_24		CF92FV1H473J	MF-C 0.047UF J	
C27		CE04DW1C100M	ELECTRO 10UF 16WV	
C51_52		C90-1616-05	ELECTRO 3300UF 35WV	
C55		CF92FV1H222J	MF-C 2200PF J	
C57		C90-2688-05	ELECTRO 2200UF 16WV	
C58		CE04DW1H010M	ELECTRO 1.0UF 50WV	
C59		CE04DW1V470M	ELECTRO 47UF 35WV	
C64		CF92FV1H102J	MF-C 1000PF J	
C65		CE04DW1C100M	ELECTRO 10UF 16WV	
C66		CE04DW1H010M	ELECTRO 1.0UF 50WV	
C101-104		CK45FB1H101K	CERAMIC 100PF K	
C113,114		CE04DW1V220M	ELECTRO 22UF 35WV	
C115,116		CF92FV1H102J	MF-C 1000PF J	
C121,122		CE04DW1H4R7M	ELECTRO 4.7UF 50WV	
C123,124		CF92FV1H473J	MF-C 0.047UF J	
△ J1	2B	E70-0820-05	SCREW TERMINAL BOARD	
J4	2B	E70-0819-05	SCREW TERMINAL BOARD	
J5	2B	E70-0818-05	SCREW TERMINAL BOARD	
TP1_2		E40-3640-05	PIN ASSY	
WH1_2	2B	E31-8103-05	LEAD WIRE (FLAT CABLE)	
△ J2		J13-0601-05	FUSE HOLDER	
J3		J13-0603-05	FUSE HOLDER	
L1		L33-1015-05	CHOKE COIL	
T1		L19-0551-05	DC/DC CONVERTER	
H	2B	N80-3010-45	PAN HEAD TAPTITE SCREW	
J	1B	N80-2608-45	PAN HEAD TAPTITE SCREW	
K	2B	N07-0003-08	SEMS	
L	2B	N09-4214-08	SEMS	
R1_2		RD14BB2C473J	RD 47K J 1/6W	
R3		RD14BB2C562J	RD 5.6K J 1/6W	
R4		RD14BB2C333J	RD 33K J 1/6W	
R5		RD14DB2H182J	SMALL-RD 1.8K J 1/2W	
R6		RD14BB2C303J	RD 30K J 1/6W	

E: Europe J: Japan K: North America
M: Other Area

△ indicates safety critical components.
△印は安全部品

PARTS LIST / 部品表

* New Parts

Parts without Part No. are not supplied.

(X09-5150-10)

* 新規部品

(注) 部品番号がないものは修理用部品として扱いません。

Ref. No.	A d d	N e w	Parts No.	Description	Desti- nation	Ref. No.	A d d	N e w	Parts No.	Description	Desti- nation
参照番号	位置	新規	部品番号	部品名/規格	仕向	参照番号	位置	新規	部品番号	部品名/規格	仕向
R7			RD14BB2C562J	RD 5.6K J 1/6W		D9 ,10			1SS176	DIODE	
R8 ,9			RD14BB2C472J	RD 4.7K J 1/6W		D11			D10LC20U*A	DIODE	
R25 ,28			RD14BB2C272J	RD 2.7K J 1/6W		D12			D10LC20UR*A	DIODE	
R29 ,30			RD14BB2C562J	RD 5.6K J 1/6W		D15			RM4ZLF-J1	DIODE	
R31 ,32			RD14BB2C302J	RD 3.0K J 1/6W		D16			RD7.5JS(B)	ZENER DIODE	
R33 ,36			RD14BB2C101J	RD 100 J 1/6W		D17			1SS131	DIODE	
R37 ,38			RD14DB2H101J	SMALL-RD 100 J 1/2W		D17			1SS176	DIODE	
R41 ,44			R92-2115-05	METAL FILMR 0.1 J 2W		D18			RD20JS(B)	ZENER DIODE	
R45 ,46			RD14BB2C432J	RD 4.3K J 1/6W		D19			RD5.1JS(B)	ZENER DIODE	
R47 ,48			RD14BB2C271J	RD 270 J 1/6W		D23 ,24			1SS131	DIODE	
R49 ,50			RD14BB2C103J	RD 10K J 1/6W		D23 ,24			1SS176	DIODE	
R51 ,52			RD14DB2H100J	SMALL-RD 10 J 1/2W		D51 ,52			1SS131	DIODE	
R61 ,62			RD14BB2C152J	RD 1.5K J 1/6W		D51 ,52			1SS176	DIODE	
R65 ,66			RD14BB2C680J	RD 68 J 1/6W		D101-104			1SS131	DIODE	
R67 ,68			RD14BB2C472J	RD 4.7K J 1/6W		D101-104			1SS176	DIODE	
R71			RD14DB2H100J	SMALL-RD 10 J 1/2W		D151,152			1SS131	DIODE	
R72 ,73			RD14BB2C332J	RD 3.3K J 1/6W		D151,152			1SS176	DIODE	
R74 ,75			RD14BB2C122J	RD 1.2K J 1/6W		D201,202			1SS131	DIODE	
R77			RD14BB2C682J	RD 6.8K J 1/6W		D201,202			1SS176	DIODE	
R78			RD14BB2C154J	RD 150K J 1/6W		IC1			UPC494C	IC(SWITCHING REGULATOR)	
R80			RD14BB2C101J	RD 100 J 1/6W		Q1 ,2			2SC945(A)(Q,P)	TRANSISTOR	
R83			RD14BB2C223J	RD 22K J 1/6W		Q3			2SA733(A)(Q,P)	TRANSISTOR	
R84			RD14BB2C163J	RD 16K J 1/6W		Q4			2SC945(A)(Q,P)	TRANSISTOR	
R86			RD14BB2C472J	RD 4.7K J 1/6W		Q7			2SC1845(F,E)	TRANSISTOR	
R87			RD14BB2C681J	RD 680 J 1/6W		Q11 ,12			2SC2590(Q,R)	TRANSISTOR	
R88			RD14BB2C103J	RD 10K J 1/6W		Q13 ,14			2SC1627A	TRANSISTOR	
R89			RD14BB2C272J	RD 2.7K J 1/6W		Q15 ,16			2SA817A	TRANSISTOR	
R90			RD14BB2C242J	RD 2.4K J 1/6W		Q17 ,18			2SC5100LB	TRANSISTOR	
R91			RD14BB2C273J	RD 27K J 1/6W		Q19 ,20			2SA1908LB	TRANSISTOR	
R92			RD14BB2C684J	RD 680K J 1/6W		Q21 -24			2SC945(A)(Q,P)	TRANSISTOR	
R93			RD14BB2C273J	RD 27K J 1/6W		Q25 ,26			2SA733(A)(Q,P)	TRANSISTOR	
R94			RD14BB2C103J	RD 10K J 1/6W		Q27 -30			MTAJ30N06ELFK	FET	
R95 ,96			RD14BB2E152J	RD 1.5K J 1/4W		Q31			2SC945(A)(Q,P)	TRANSISTOR	
R101,102			RD14BB2C473J	RD 47K J 1/6W		Q32			2SA733(A)(Q,P)	TRANSISTOR	
R125-128			RD14BB2C272J	RD 2.7K J 1/6W		Q33			2SC945(A)(Q,P)	TRANSISTOR	
R129,130			RD14BB2C562J	RD 5.6K J 1/6W		Q35 ,36			2SC3940A(R,S)	TRANSISTOR	
R131,132			RD14BB2C302J	RD 3.0K J 1/6W		Q107			2SC1845(F,E)	TRANSISTOR	
R133-136			RD14BB2C101J	RD 100 J 1/6W		Q111,112			2SC2590(Q,R)	TRANSISTOR	
R137,138			RD14DB2H101J	SMALL-RD 100 J 1/2W		Q113,114			2SC1627A	TRANSISTOR	
R141-144			R92-2115-05	METAL FILMR 0.1 J 2W		Q115,116			2SA817A	TRANSISTOR	
R145,146			RD14BB2C432J	RD 4.3K J 1/6W		Q117,118			2SC5100LB	TRANSISTOR	
R147,148			RD14BB2C271J	RD 270 J 1/6W		Q119,120			2SA1908LB	TRANSISTOR	
R149,150			RD14BB2C103J	RD 10K J 1/6W		Q121,122			2SC945(A)(Q,P)	TRANSISTOR	
R151,152			RD14DB2H100J	SMALL-RD 10 J 1/2W		TH1			ERT-D2ZHL103S	THERMISTOR	
R201-236			RD14BB2E221J	RD 220 J 1/4W							
R301,302			RD14BB2C330J	RD 33 J 1/6W							
VR1 ,2			R12-1618-05	TRIMMING POT. (3.3K)							
VR11,12			R12-1618-05	TRIMMING POT. (3.3K)							
D1 ,4			1SS131	DIODE							
D1 ,4			1SS176	DIODE							
D6 ,7			1SS131	DIODE							
D6 ,7			1SS176	DIODE							
D8			RD10JS(B)	ZENER DIODE							
D9 ,10			1SS131	DIODE							

E : Europe J : Japan K : North America
M : Other Area

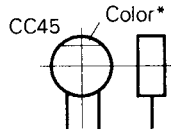
△ indicates safety critical components.
△印は安全部品

PARTS DESCRIPTIONS / 部品について

CAPACITORS

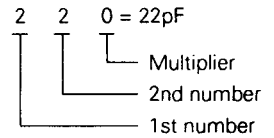
CC 45 TH 1H 220 J
1 2 3 4 5 6

- 1 = Type ... ceramic, electrolytic, etc.
- 2 = Shape ... round, square, ect.
- 3 = Temp. coefficient
- 4 = Voltage rating
- 5 = Value
- 6 = Tolerance



Capacitor value

- 010 = 1pF
- 100 = 10pF
- 101 = 100pF
- 102 = 1000pF = 0.001μF
- 103 = 0.01μF



Temperature coefficient

1st Word	C	L	P	R	S	T	U
Color*	Black	Red	Orange	Yellow	Green	Blue	Violet
ppm/°C	0	-80	-150	-220	-330	-470	-750

2nd Word	G	H	J	K	L
ppm/°C	±30	±60	±120	±250	±500

Example : CC45TH = -470 ± 60ppm/°C

Tolerance (More than 10pF)

Code	C	D	G	J	K	M	X	Z	P	No code
(%)	±0.25	±0.5	±2	±5	±10	±20	+40 -20	+80 -20	+100 -0	More than 10μF -10 ~ +50 Less than 4.7μF -10 ~ +75

(Less than 10pF)

Code	B	C	D	F	G
(pF)	±0.1	±0.25	±0.5	±1	±2

Voltage rating

2nd word \ 1st word	A	B	C	D	E	F	G	H	J	K	V
0	1.0	1.25	1.6	2.0	2.5	3.15	4.0	5.0	6.3	8.0	-
1	10	12.5	16	20	25	31.5	40	50	63	80	35
2	100	125	160	200	250	315	400	500	630	800	-
3	1000	1250	1600	2000	2500	3150	4000	5000	6300	8000	-

Chip capacitors

(EX) C C 7 3 F S L 1 H 0 0 0 J
1 2 3 4 5 6 7

(Chip) (CH, RH, UJ, SL)

(EX) C K 7 3 F F 1 H 0 0 0 Z
1 2 3 4 5 6 7

(Chip) (B, F)

Refer to the table above.

- 1 = Type
- 2 = Shape
- 3 = Dimension
- 4 = Temp. coefficient
- 5 = Voltage rating
- 6 = Value
- 7 = Tolerance

Dimension (Chip capacitors)

Dimension code	L	W	T
Empty	5.6 ± 0.5	5.0 ± 0.5	Less than 2.0
A	4.5 ± 0.5	3.2 ± 0.4	Less than 2.0
B	4.5 ± 0.5	2.0 ± 0.3	Less than 2.0
C	4.5 ± 0.5	1.25 ± 0.2	Less than 1.25
D	3.2 ± 0.4	2.5 ± 0.3	Less than 1.5
E	3.2 ± 0.2	1.6 ± 0.2	Less than 1.25
F	2.0 ± 0.3	1.25 ± 0.2	Less than 1.25
G	1.6 ± 0.2	0.8 ± 0.2	Less than 1.0

RESISTORS

Chip resistor (Carbon)

(EX) R K 7 3 E B 2 B 0 0 0 J
1 2 3 4 5 6 7

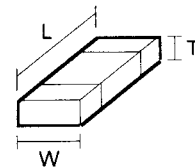
(Chip) (B, F)

Carbon resistor (Normal type)

(EX) R D 1 4 B B 2 C 0 0 0 J
1 2 3 4 5 6 7

- 1 = Type
- 2 = Shape
- 3 = Dimension
- 4 = Temp. coefficient
- 5 = Rating wattage
- 6 = Value
- 7 = Tolerance

Dimension



Dimension (Chip resistor)

Dimension code	L	W	T
E	3.2 ± 0.2	1.6 ± 0.2	1.0
F	2.0 ± 0.3	1.25 ± 0.2	1.0
G	1.6 ± 0.2	0.8 ± 0.2	0.5 ± 0.1

Rating wattage

Code	Wattage	Code	Wattage	Code	Wattage
1J	1/16W	2C	1/6W	3A	1W
2A	1/10W	2E	1/4W	3D	2W
2B	1/8W	2H	1/2W		

SPECIFICATIONS

Audio Section

Max Power Output (4Ω)	
4-channel Mode.....	100W x 4
3-channel Mode.....	(100W x 2) + (300W x 1)
2-channel Mode.....	300W x 2
Rated Power Output (4Ω)	
4-channel Mode.....	50W x 4
(20Hz-20KHz, less than 0.08% THD)	
(DIN45324, +B=14.4V)	
3-channel Mode (1KHz).....	(50W x 2 at 0.08% THD) + (150W x 1 at 0.8% THD)
2-channel Mode (1KHz, 0.8% THD).....	150W x 2
Rated Power Output (2Ω)	
4-channel Mode (1KHz, 0.8% THD).....	75W x 4
Frequency Response (+0, -1dB).....	5Hz - 50KHz
Signal to Noise Ratio.....	100dB
Sensitivity (MAX) (rated output).....	0.15V
Sensitivity (MIN) (rated output).....	4.0V
Input Impedance.....	10KΩ
Low Pass Filter Frequency (12dB/oct.).....	50Hz - 200Hz (Variable)
High Pass Filter Frequency (12dB/oct.).....	50Hz - 200Hz (Variable)

General

Operating Voltage (11V-16V allowable).....	14.4V
Current Consumption (1KHz, 10% THD).....	38A
Dimensions (Width x Height x Depth).....	290mm x 56mm x 280mm
Weight.....	4.3Kg

定格

オーディオ部

最大出力 (4Ω)	
4チャンネル.....	100W x 4
3チャンネル.....	(100W x 2) + (300W x 1)
2チャンネル.....	300W x 2
定格出力 (4Ω)	
4チャンネル (20Hz-20KHz, 0.08% THD).....	50W x 4
3チャンネル (1KHz).....	(50W x 2 at 0.08% THD) + (150W x 1 at 0.8% THD)
2チャンネル (1KHz, 0.8% THD).....	150W x 2
定格出力 (2Ω)	
4チャンネル (1KHz, 0.8% THD).....	75W x 4
周波数特性 (+0, -1dB).....	5Hz - 50KHz
S/N比.....	100dB
入力感度 (定格出力).....	0.15V - 4.0V
入力インピーダンス.....	10KΩ
ローパスフィルター (12dB/oct.).....	50Hz - 200Hz (連続可変)
ハイパスフィルター (12dB/oct.).....	50Hz - 200Hz (連続可変)

電源部

電源電圧 (マイナス・アース) (11V-16V).....	14.4V
最大消費電流.....	38A

寸法・重量

外形寸法 (幅 x 高さ x 奥行).....	290mm x 56mm x 280mm
質量 (重さ).....	4.3Kg